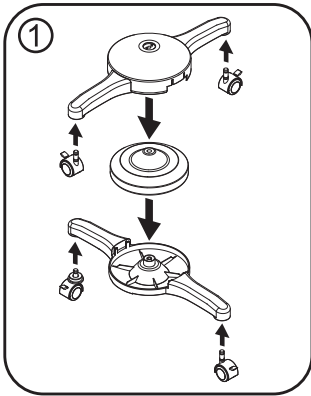


Assembly Instructions

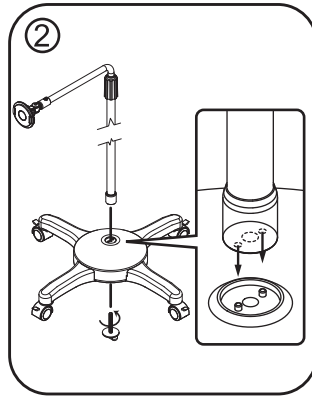
M141BK11LA- Universal Tablet Stand with L-Arm - Rolling



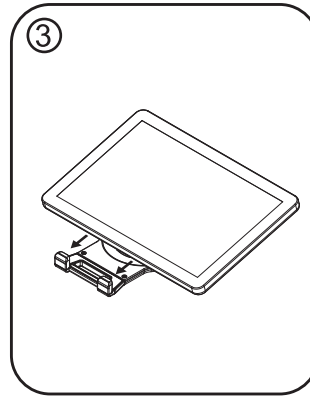
V20.10



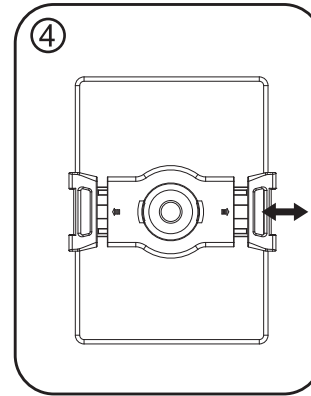
Assemble the base and then insert casters into the bottom of the base.



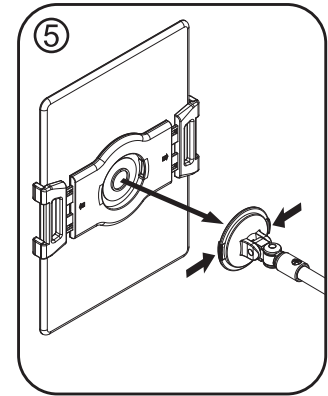
Place the pole at the center of the base and insert the screw from the bottom and tighten it.



Slide the tablet into 1 side of the tablet holder.

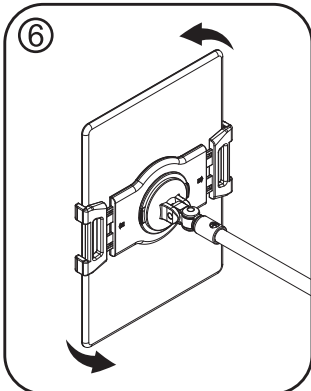


Extend the clamp to let the tablet slide in then release.

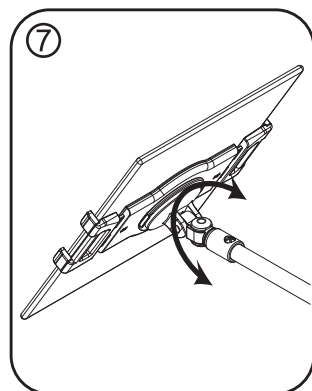


Attach the tablet holder to the top of the pole.

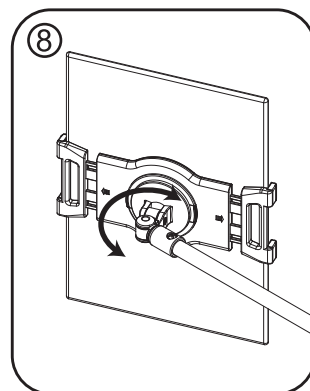
CAUTION: Make sure the tablet is secured inside the holder



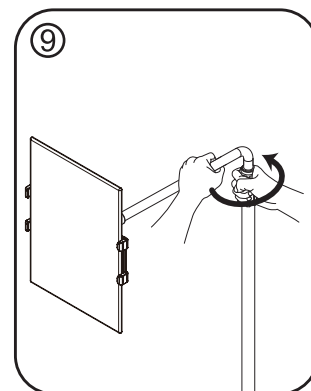
Adjust the tablet to the desired orientation.



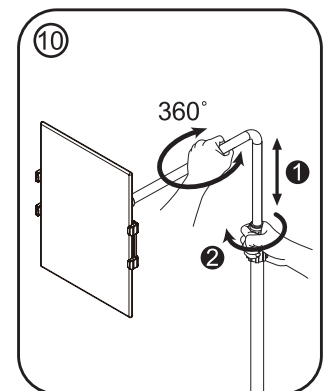
The tablet can tilt up and down by 180°.



The tablet can also rotate 180° horizontally.



Loosen the knob to adjust the height and the angle of the tablet.



Tighten the knob to secure the tablet at the desired position.

CAUTION: Hold the Arm tight when adjusting the arm.